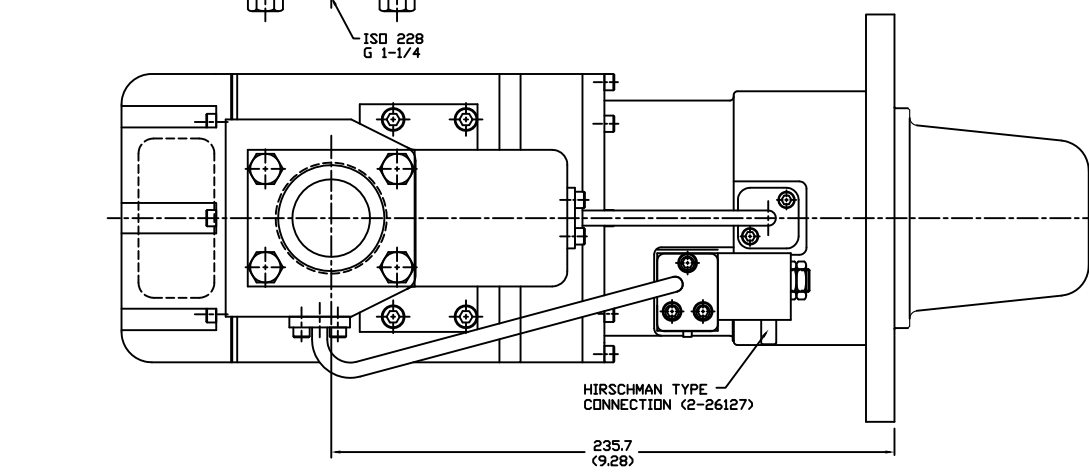
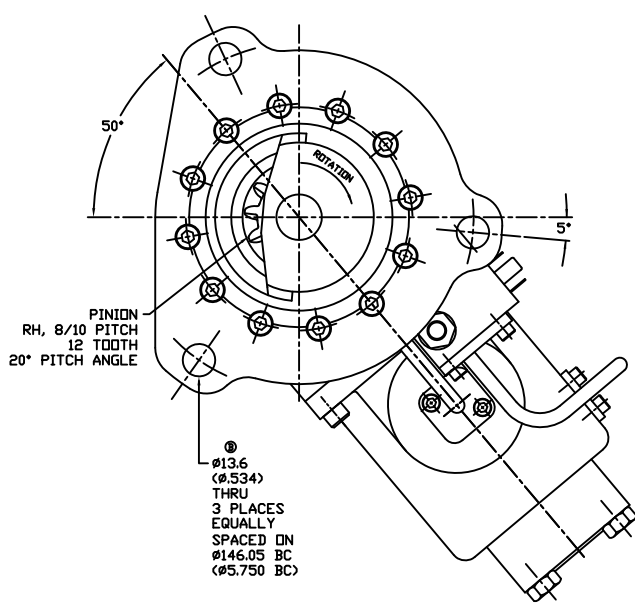
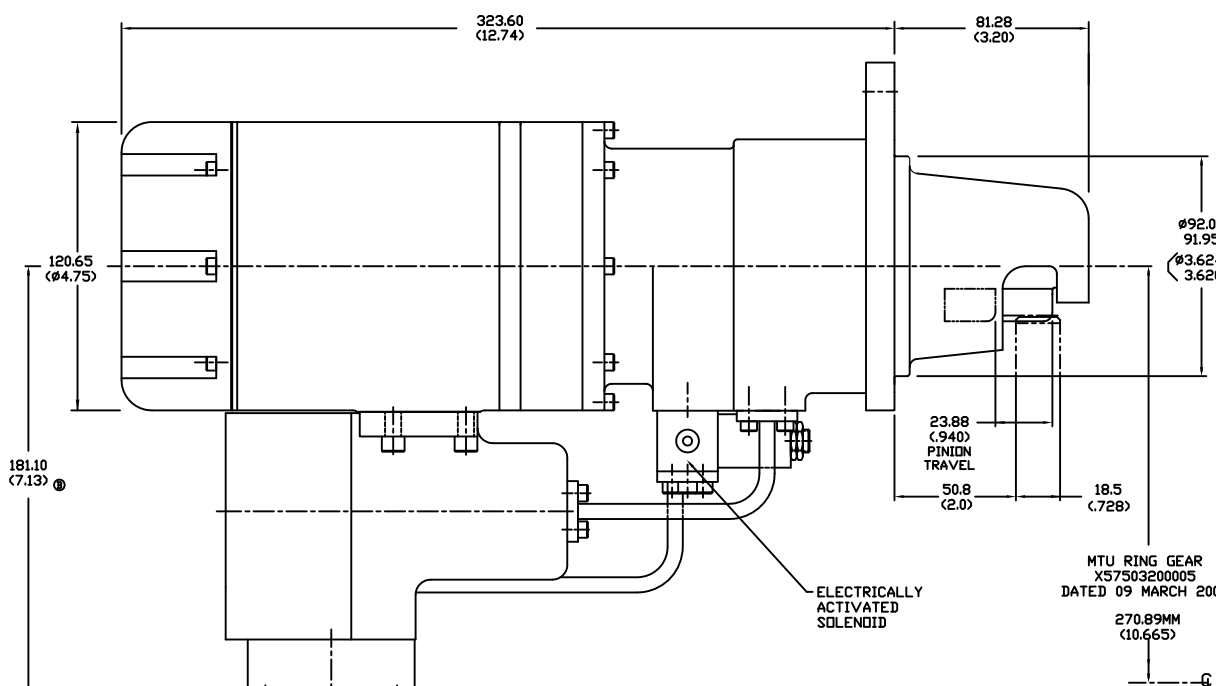


APPLICATION		REVISION		APPROVAL					
USED IN	NEXT ASSEMBLY	QTY	ZONE	REV	DESCRIPTIONS	DRAWN	CHECKED	APPROVED	ARCHIVED
D-61136	T25	D-60136	1	A	SEE SHEET 1	-	-	-	-
				B	SEE SHEET 1				



T312-60136-005 X57517300002
T25 CUSTOMER
PART NUMBER PART NUMBER

CAUTION READ ALL NOTES STARTING WORK REMOVE ALL PIPS DO NOT SCALE	REVISIONS	DATE	BY	APPROVALS	DATE	DWG TITLE
	1	25OCT07	S/DLBORNHST	25OCT07	ENVELOPE DRAWING, T25 (MTU BR1600)	
THIS DRAWING CONTAINS PROPRIETARY SUBJECT MATTER. IT IS NOT TO BE USED OR REPRODUCED, EITHER IN WHOLE OR IN PART, IN ANY MANNER WHATSOEVER, IN ABSENCE OF EXPRESS PERMISSION IN WRITING FROM TECH DEVELOPMENT.			SCALE	1/1	REV NO.	61136

61136